

Assembly Instruction



Model : FTV 885

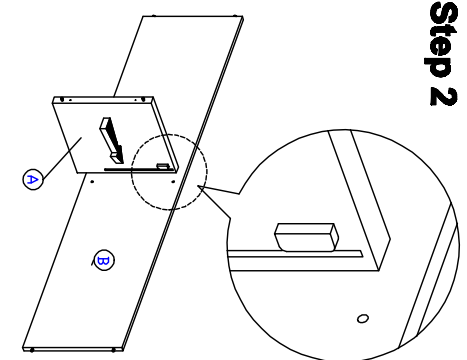
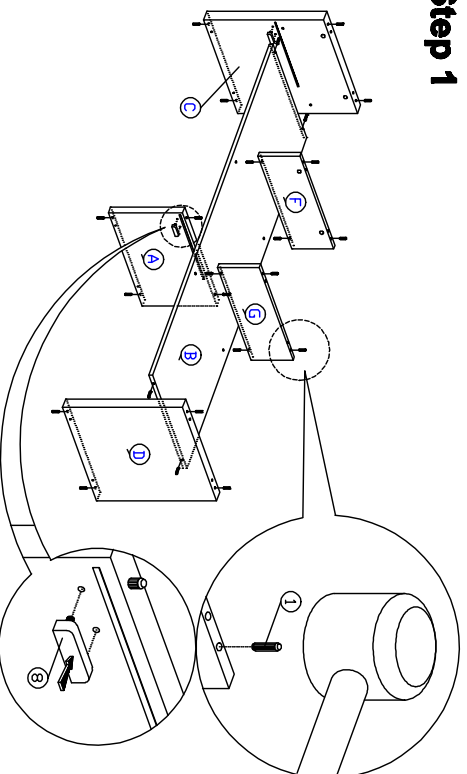
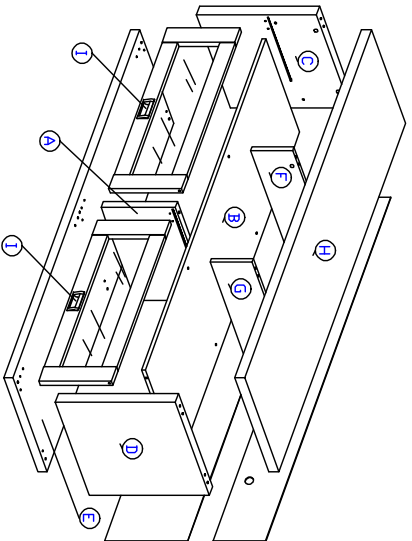


| | | | | | | | | | | | | | | | | | | | | | | |
|------|--|-----|--|------|--|-----|--|------|--|-----|--------|-----|--|-----|--|-----|--|------|------|------|--|--------|
| 1 | | 2 | | 3 | | 4 | | 5 | | 6 | | 7 | | 8 | | 9 | | 10 | | 10 b | | 4 Sets |
| 1x24 | | 1x4 | | 1x20 | | 1x6 | | 1x50 | | 6 8 | 8 Sets | 1x4 | | 1x4 | | 1x5 | | 10 8 | 10 b | | | |

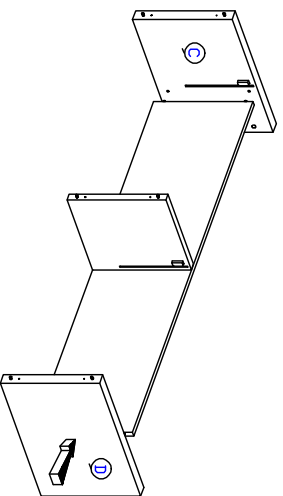
PART LIST

Step 1

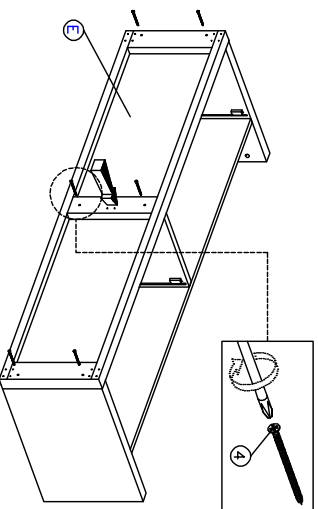
Step 2



Step 3



Step 4



Step 5

